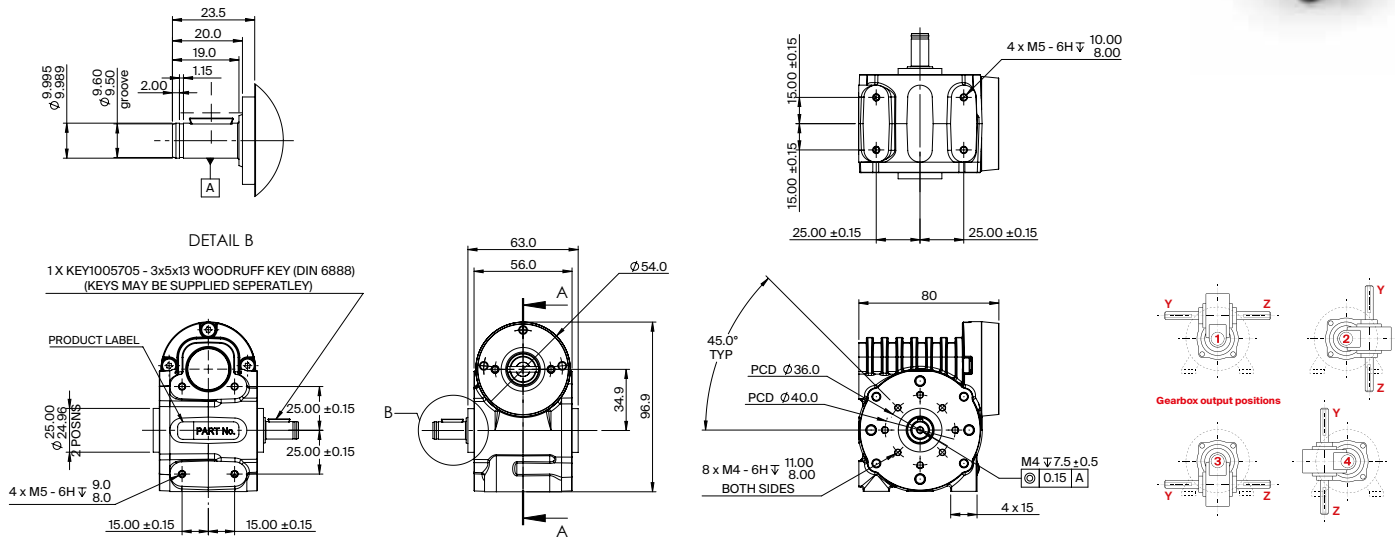


GB 80 Worm Gear

Composite Version



Key data	Composite version
Max. continuous torque	Nm 8
Ambient temperature	°C -30...+130
Max. continuous input speed	rpm 4000
Gearhead length ¹	mm 80
Bearing at output	Ball bearing
Weight	kg 0.7

Specifications	Composite version		
Part numbers (special program on request)	812954 848376 848379		
Reduction	X:1	15.5	30 60
Number of stages		1	1 1
Max. continuous torque	Nm	8	8 6
Max. intermittent torque	Nm	13	13 10
Max. continuous input speed	rpm	4000	4000 4000
Max. intermittent input speed	rpm	5000	5000 5000
Max. efficiency	%	77	70 54
Average backlash no load	arcmin	10-25	10-25 10-25
Max. axial load (dynamic)	N	150	150 150
Max. permissible radial load, 12 mm from flange	N	500	500 500

Configuration	Composite version
Gearhead position to motor	4 positions, all at 90°

Modular system		Notes
EC motor	Page	¹ Length given excludes intermediate plate for motor combination
IDX 56	249-251	
EC-i 52	312-313	
EC 60 flat	321-323	
EC 90 flat	324-329	

Compact drive	
IDX 56	353-355