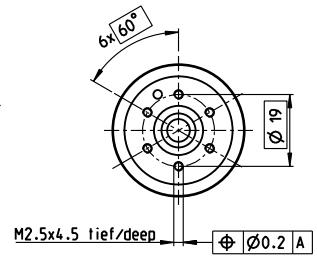
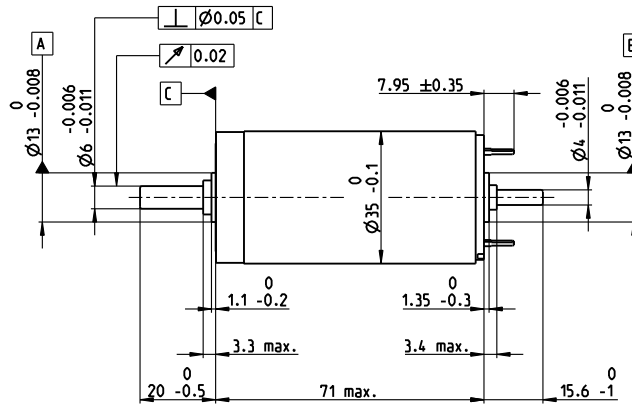
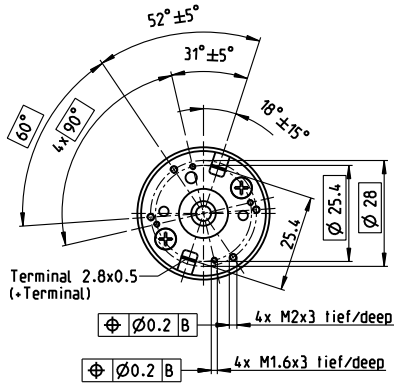


RE 35 $\varnothing 35$ mm, graphite brushes, 90 watt

RE



M 1:2

- Stock program
- Standard program
- Special program (on request)

Part Numbers

according to dimensional drawing
shaft length 15.6 shortened to 4 mm

273752	323890	273753	273754	273755	273756	273757	273758	273759	273760	273761	273762	273763
285785	323891	285786	285787	285788	285789	285790	285791	285792	285793	285794	285795	285796

Motor Data														
Values at nominal voltage														
1 Nominal voltage	V	15	24	30	42	48	48	48	48	48	48	48	48	48
2 No load speed	rpm	7200	7750	7280	7580	7310	6680	5990	4770	3830	3150	2590	2110	1630
3 No load current	mA	188	128	94.1	70.5	58.9	52.6	46	34.9	27	21.6	17.3	13.9	10.5
4 Nominal speed	rpm	6500	6990	6470	6800	6510	5870	5170	3930	2990	2290	1720	1230	737
5 Nominal torque	mNm	74.2	105	101	105	103	104	104	106	108	107	107	106	106
6 Nominal current (max. continuous current)	A	4	3.72	2.68	2.07	1.71	1.58	1.41	1.15	0.934	0.764	0.628	0.508	0.393
7 Stall torque	mNm	931	1200	976	1090	983	892	778	621	499	399	323	256	196
8 Stall current	A	47.9	41.2	25.1	20.7	15.8	13.1	10.3	6.52	4.21	2.77	1.85	1.2	0.71
9 Max. efficiency	%	85	87	87	88	88	87	86	85	84	83	81	79	77
Characteristics														
10 Terminal resistance	Ω	0.313	0.582	1.2	2.03	3.04	3.66	4.68	7.36	11.4	17.3	26	40.1	67.6
11 Terminal inductance	mH	0.085	0.191	0.34	0.62	0.87	1.04	1.29	2.04	3.16	4.65	6.89	10.3	17.1
12 Torque constant	mNm/A	19.4	29.2	38.9	52.5	62.2	68	75.8	95.2	119	144	175	214	276
13 Speed constant	rpm/V	491	328	246	182	154	140	126	100	80.5	66.4	54.6	44.7	34.6
14 Speed/torque gradient	rpm/mNm	7.91	6.54	7.55	7.03	7.5	7.55	7.77	7.75	7.74	7.99	8.1	8.38	8.47
15 Mechanical time constant	ms	5.62	5.41	5.37	5.32	5.32	5.32	5.33	5.33	5.33	5.34	5.35	5.36	5.38
16 Rotor inertia	gcm ²	67.9	79	67.9	72.3	67.7	67.2	65.4	65.7	65.7	63.8	63	61	60.6

Specifications

Thermal data	
17 Thermal resistance housing-ambient	6.2 K/W
18 Thermal resistance winding-housing	2 K/W
19 Thermal time constant winding	30.1 s
20 Thermal time constant motor	707 s
21 Ambient temperature	-30...+100°C
22 Max. winding temperature	+155°C
Mechanical data (ball bearings)	
23 Max. speed	12000 rpm
24 Axial play	0.05 - 0.15 mm
25 Radial play	0.025 mm
26 Max. axial load (dynamic)	5.6 N
27 Max. force for press fits (static)	110 N
(static, shaft supported)	1200 N
28 Max. radial load, 5 mm from flange	28 N

Other specifications

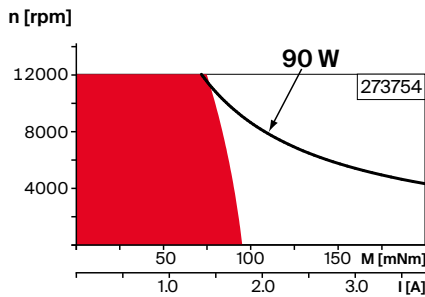
29 Number of pole pairs	1
30 Number of commutator segments	13
31 Weight of motor	340 g

Values listed in the table are nominal.
Explanation of the figures on page 90.

Option

- Hollow shaft as special design
- Preloaded ball bearings

Operating Range



Comments

- **Continuous operation**
In observation of above listed thermal resistance (lines 17 and 18) the maximum permissible winding temperature will be reached during continuous operation at 25°C ambient.
= Thermal limit.
- **Short term operation**
The motor may be briefly overloaded (recurring).
- **Assigned power rating**

Modular System

Details on catalog page 44

Gear
418_GP 32 BZ
419_GP 32 A
421_GP 32 AR
422_GP 32 C
425_GP 32 CR
426_GP 32 HP
431_GP 42 C
452-460_GP 32 S

Sensor
511_Encoder MR 256-1024 CPT
518_Encoder HEDS 5540
520_Encoder HEDL 5540
527_DC-Tacho DCT 22

Motor Control
533_ESCON Module 50/5
535_ESCON 50/5
541_EPOS4 Micro 24/5
542_EPOS4 Module 24/1.5
543_EPOS4 Compact 24/5 3-axes
544_EPOS4 Compact 24/1.5
547_EPOS4 50/5

Accessories

- 565_Brake AB 28
- 572_End cap