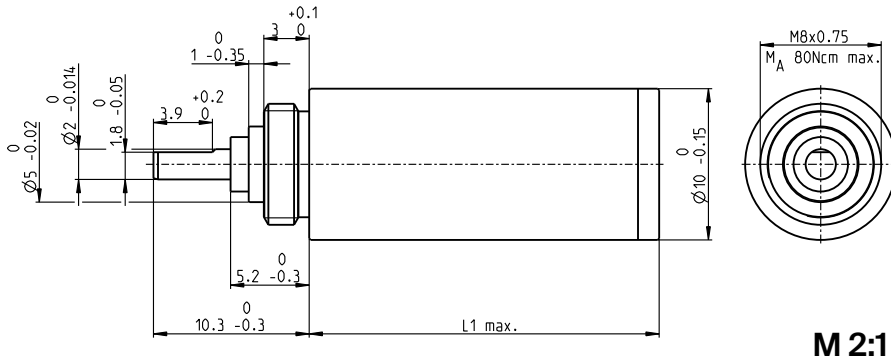


Planetary Gearhead GP 10 A $\varnothing 10$ mm, 0.01–0.15 Nm



Technical Data

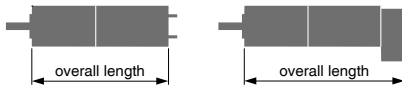
Planetary Gearhead	straight teeth
Output shaft	stainless steel
Bearing at output	preloaded ball bearings
Radial play, 5 mm from flange	max. 0.08 mm
Axial play at axial load	< 2 N 0 mm > 2 N max. 0.04 mm
Max. axial load (dynamic)	5 N
Max. force for press fits	10 N
Direction of rotation, drive to output	=
Max. continuous input speed	12000 rpm
Recommended temperature range	-40...+80°C
Number of stages	1 2 3 4 5
Max. radial load, 5 mm from flange	5 N 10 N 15 N 20 N 25 N

gear

- Stock program
- Standard program
- Special program (on request)

Part Numbers

Gearhead Data	Part Numbers					Part Numbers				
	218415	218416	218417	218418	218419	332422	332423	332424	332425	332426
1 Reduction	4:1	16:1	64:1	256:1	1024:1	4:1	16:1	64:1	256:1	1024:1
2 Absolute reduction	4	16	64	256	1024	4	16	64	256	1024
3 Max. motor shaft diameter	mm 1.2	1.2	1.2	1.2	1.2	1.2	1.2	1.2	1.2	1.2
4 Number of stages	1	2	3	4	5	1	2	3	4	5
5 Max. continuous torque	Nm 0.010	0.030	0.100	0.150	0.150	0.010	0.030	0.100	0.150	0.150
6 Max. intermittent torque at gear output	Nm 0.020	0.050	0.150	0.200	0.200	0.020	0.050	0.150	0.200	0.200
7 Max. efficiency	% 90	81	73	65	59	90	81	73	65	59
8 Weight	g 6.7	7.2	7.7	8.2	8.7	6.7	7.2	7.7	8.2	8.7
9 Average backlash no load	° 1.5	1.8	2.0	2.2	2.5	1.5	1.8	2.0	2.2	2.5
10 Mass inertia	gcm ² 0.005	0.005	0.005	0.005	0.005	0.005	0.005	0.005	0.005	0.005
11 Gearhead length L1	mm 10.4	14.1	17.2	20.4	23.5	10.4	14.1	17.2	20.4	23.5



maxon Modular System

+ Motor	Page	+ Sensor/Brake	Page	Overall length [mm] = Motor length + gearhead length + (sensor/brake) + assembly parts									
RE 10, 0.75 W	119/120			27.5	31.2	34.3	37.5	40.6					
RE 10, 0.75 W	120	MR	472/473	33.3	37.0	40.1	43.3	46.4					
RE 10, 1.5 W	121/122			35.1	38.8	41.9	45.1	48.2					
RE 10, 1.5 W	122	MR	472/473	40.9	44.6	47.7	50.9	54.0					
A-max 12	157/158			31.7	35.4	38.5	41.7	44.8					
A-max 12, 0.5 W	158	MR	472/473	35.8	39.5	42.6	45.8	48.9					
EC 10, 8 W	235								36.2	39.9	43.0	46.2	49.3
EC 9.2 flat, 0.5 W	285			23.0	26.7	29.8	33.0	36.1					