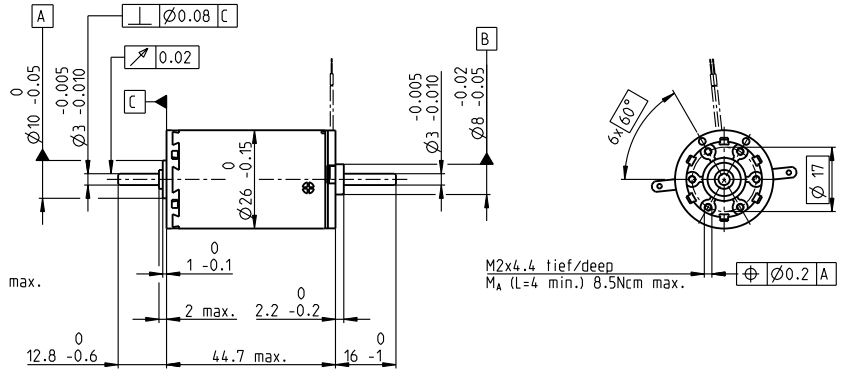
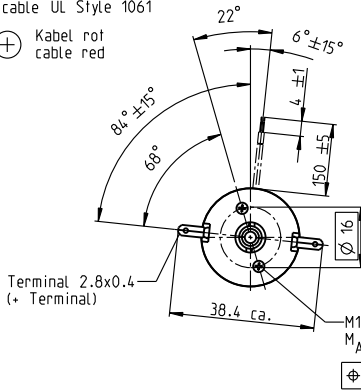


A-max 26 Ø26 mm, graphite brushes, 11 watt

A-max

Kabel AWG 24/7
cable UL Style 1061

⊕ Kabel rot
cable red



M 1:2

- Stock program
- Standard program
- Special program (on request)

Part Numbers

with terminals	110958	110959	110960	110961	110962	110963	110964	110965	110966	110967	110968
with cables	353606	353607	353608	353609	353610	353611	353612	353613	353614	353615	353616

Motor Data														
Values at nominal voltage														
1 Nominal voltage	V	6	7.2	12	15	18	24	30	36	42	48	48		
2 No load speed	rpm	9740	10400	8190	8450	8040	8890	7050	7280	7880	7470	6010		
3 No load current	mA	143	130	57	47.5	37.1	31.7	18.9	16.4	15.5	12.7	9.66		
4 Nominal speed	rpm	9210	9700	6720	6620	6080	6910	5000	5230	5840	5390	3900		
5 Nominal torque (max. continuous torque)	mNm	5.48	6.26	14.2	17.4	18.7	18.4	18.2	18.2	18.1	17.8	17.9		
6 Nominal current (max. continuous current)	A	1.08	1.08	1.08	1.08	0.919	0.749	0.47	0.404	0.373	0.305	0.247		
7 Stall torque	mNm	102	96.4	80.2	80.5	77.1	83.3	63	65.2	70.3	64.5	51.4		
8 Stall current	A	17.4	14.7	5.79	4.8	3.64	3.26	1.57	1.4	1.4	1.06	0.684		
9 Max. efficiency	%	83	82	81	81	81	82	80	80	80	80	78		
Characteristics														
10 Terminal resistance	Ω	0.345	0.49	2.07	3.13	4.94	7.36	19.1	25.8	30.1	45.1	70.2		
11 Terminal inductance	mH	0.04	0.051	0.227	0.333	0.529	0.77	1.9	2.58	2.99	4.34	6.68		
12 Torque constant	mNm/A	5.84	6.57	13.9	16.8	21.2	25.5	40.1	46.7	50.3	60.6	75.2		
13 Speed constant	rpm/V	1640	1450	689	569	451	374	238	205	190	158	127		
14 Speed/torque gradient	rpm/mNm	96.6	109	103	106	105	108	113	113	113	117	119		
15 Mechanical time constant	ms	14.6	14.7	14.6	14.7	14.7	14.7	14.9	14.9	14.9	15	15		
16 Rotor inertia	gcm ²	14.4	12.9	13.6	13.2	13.3	13.1	12.5	12.6	12.5	12.2	12.1		

Specifications

- Thermal data**
- 17 Thermal resistance housing-ambient 13.2 K/W
 - 18 Thermal resistance winding-housing 3.2 K/W
 - 19 Thermal time constant winding 12.5 s
 - 20 Thermal time constant motor 473 s
 - 21 Ambient temperature -30...+85°C
 - 22 Max. winding temperature +125°C

- Mechanical data (ball bearings)**
- 23 Max. speed 10400 rpm
 - 24 Axial play 0.1 - 0.2 mm
 - 25 Radial play 0.025 mm
 - 26 Max. axial load (dynamic) 5 N
 - 27 Max. force for press fits (static) (static, shaft supported) 75 N
 - 28 Max. radial load, 5 mm from flange 1200 N

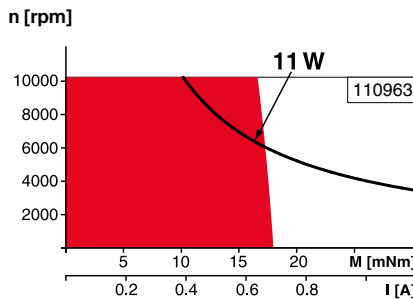
- Mechanical data (sleeve bearings)**
- 23 Max. speed 10400 rpm
 - 24 Axial play 0.1 - 0.2 mm
 - 25 Radial play 0.012 mm
 - 26 Max. axial load (dynamic) 1.7 N
 - 27 Max. force for press fits (static) (static, shaft supported) 80 N
 - 28 Max. radial load, 5 mm from flange 1200 N

- Other specifications**
- 29 Number of pole pairs 1
 - 30 Number of commutator segments 13
 - 31 Weight of motor 119 g

Values listed in the table are nominal.
Explanation of the figures on page 82.

- Option**
- Sleeve bearings in place of ball bearings

Operating Range



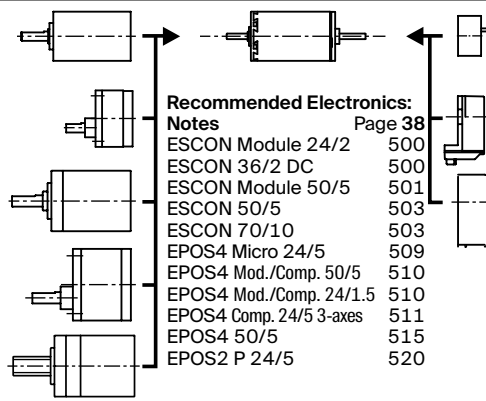
Comments

- Continuous operation**
In observation of above listed thermal resistance (lines 17 and 18) the maximum permissible winding temperature will be reached during continuous operation at 25°C ambient.
= Thermal limit.
- Short term operation**
The motor may be briefly overloaded (recurring).
- Assigned power rating**

maxon Modular System

Details on catalog page 38

- Planetary Gearhead**
Ø26 mm
0.75 - 4.5 Nm
Page 390
- Spur Gearhead**
Ø30 mm
0.07 - 0.2 Nm
Page 391
- Planetary Gearhead**
Ø32 mm
0.75 - 6.0 Nm
Page 392/393/396
- Spur Gearhead**
Ø38 mm
0.1 - 0.6 Nm
Page 404
- Screw Drive**
Ø32 mm
Page 426-433



Recommended Electronics:

Notes	Page 38
ESCON Module 24/2	500
ESCON 36/2 DC	500
ESCON Module 50/5	501
ESCON 50/5	503
ESCON 70/10	503
EPOS4 Micro 24/5	509
EPOS4 Mod./Comp. 50/5	510
EPOS4 Mod./Comp. 24/1.5	510
EPOS4 Comp. 24/5 3-axes	511
EPOS4 50/5	515
EPOS2 P 24/5	520

- Encoder MR**
128 - 1000 CPT,
3 channels
Page 478
- Encoder Enc**
22 mm
100 CPT, 2 channels
Page 483
- Encoder HED_5540**
500 CPT,
3 channels
Page 487/489