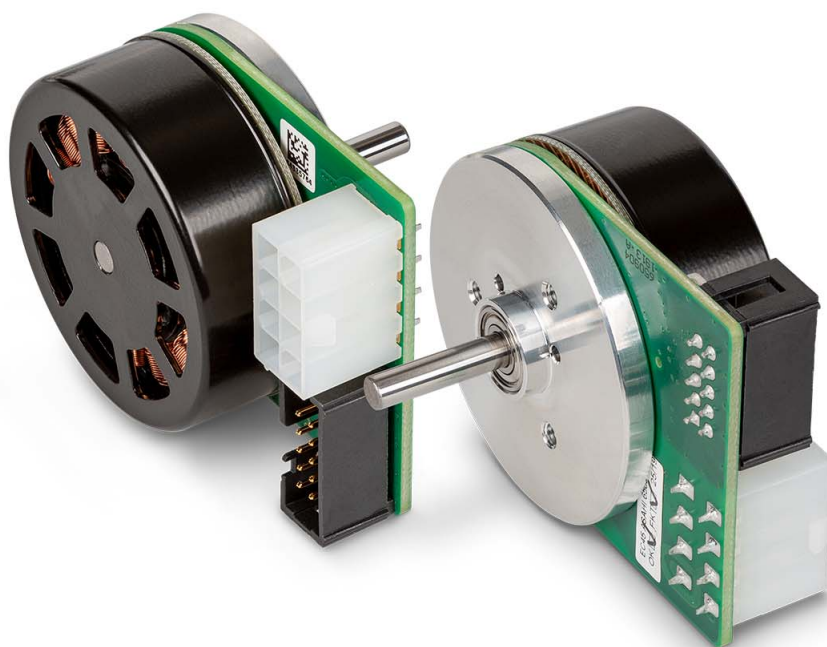


# MILE Encoder for EC 45 flat

Product Information



**TABLE OF CONTENTS**

<b>1</b>	<b>TECHNICAL DATA</b>	<b>4</b>
	1.1 Absolute Maximum Rating . . . . .	4
	1.2 Electrical Data . . . . .	4
	1.3 Angle Measurement . . . . .	4
	1.4 Hall Sensor . . . . .	5
	1.5 Mechanical Data . . . . .	5
	1.6 Dimensional Drawing . . . . .	6
<b>2</b>	<b>PROTECTION AND ROBUSTNESS</b>	<b>6</b>
<b>3</b>	<b>DEFINITIONS</b>	<b>7</b>
<b>4</b>	<b>PIN ASSIGNMENT</b>	<b>8</b>
	4.1 Encoder . . . . .	8
	4.2 Motor/Hall Sensor . . . . .	9
<b>5</b>	<b>OUTPUT CIRCUITRY</b>	<b>10</b>
	5.1 Hall Sensor . . . . .	10
	5.2 Encoder . . . . .	10

**TRADEMARKS AND BRAND NAMES**

In the present document, registered brand names will not be tagged with their respective trademark. It must be understood that the brands (below list is not necessarily concluding) are protected by copyright and/or other intellectual property rights even if their legal trademarks are omitted.

Micro-Fit™  
Mini-Fit Jr.™

© Molex, USA-Lisle, IL

## MILE Encoder for EC 45 flat – Product Information

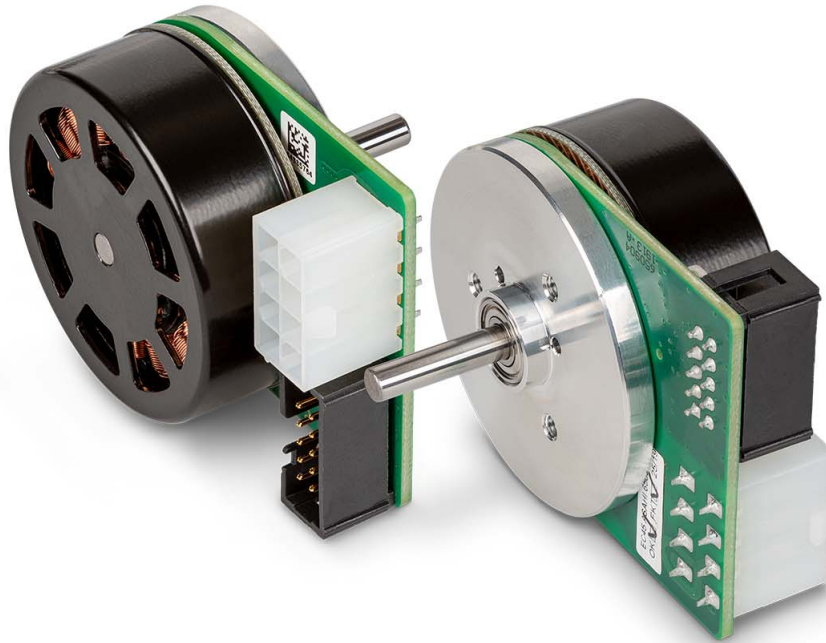


Figure 1 EC 45 flat with MILE-Encoder

The MILE encoder uses an inductive angle measurement system to generate incremental quadrature output signals. Two channels (A, B) with differential electrical signals are available. Four resolutions are factory-programmable: 256, 512, 1024, and 2048 impulses per turn.

The encoder is designed for highest robustness in industrial applications. It can be operated in the open environment of an EC flat motor and is equipped with additional ESD protection circuitry. Due to the robustness of the MILE technology in terms of magnetic interference it was possible to integrate the encoder into the flat motor with minimal change of dimensions with respect to a motor without encoder.

Pin-out is compatible to most maxon controllers with encoder interface.



---

### Note

*The listed data are for informational purposes only. None of the stated values or information may be used as an indicator of guaranteed performance.*

---

# 1 TECHNICAL DATA

## 1.1 Absolute Maximum Rating

Parameter	Conditions	Min.	Max.	Unit
Supply voltage ( $V_{CC}$ )		-0.3	6	V
Voltage at signal output ( $V_{signal}$ )		-0.3	$V_{CC}+0.3$	V
Signal output current ( $I_{signal}$ )		-4	+4	mA
ESD voltage ( $V_{esd}$ ), all pins	EN 61000-4-2		>2	kV
Storage temperature ( $T_{store}$ ) *1		-40	+105	°C
Operation temperature ( $T_{amb}$ ) *1		-40	+100	°C
Humidity	Condensation not permitted	20	80	%rH

\*1 With the cable and connector option, the supplied cables and connectors are designed for a temperature range of -20...+100°C.

## 1.2 Electrical Data

Parameter	Conditions	Min.	Typ.	Max.	Unit
Supply voltage ( $V_{CC}$ )		4.5	5.0	5.5	V
Supply current ( $I_{dd}$ )	Output pulse frequency <100 kHz, load resistor $\geq 10\text{ k}\Omega$		15		mA
Signal output current ( $I_{signal}$ )		-4		+4	mA
Signal voltage high ( $V_{high}$ )	$I_{signal} \leq 4\text{ mA}$ , $V_{CC} = 5\text{ V}$	4.5	5		V
Signal voltage low ( $V_{low}$ )	$I_{signal} \leq 4\text{ mA}$ , $V_{CC} = 5\text{ V}$		0.2	0.5	V
Transition time ( $t_{trans}$ )	Rise time/fall time ChA/B @ load resistor $1\text{ k}\Omega$ , $C_{load} 25\text{ pF}$		20		ns

## 1.3 Angle Measurement

All values at  $T = 25^\circ\text{C}$ ,  $n = 1000\text{ rpm}$ , unless otherwise specified.

→ "Definitions" on page 7

Parameter	Conditions	Min.	Typ.	Max.	Unit
Number of channels	ChA, ChB	2			-
Pulse frequency ( $f_{pulse}$ )				1000	kHz
Resolution (N)	Full period of A, B	256	512	2048	cpt
State length ( $L_{state}$ )	$N \leq 512\text{ cpt}$	45	90	$135 * 2$	°el
	$N \geq 1024\text{ cpt}$	36	90	—	
Integral Nonlinearity (INL)	$N \leq 2048\text{ cpt}$		0.5	1.8	°m
Repeatability of angle error (Jitter)	$N = 256\text{ cpt}$		0.06	0.4	LSB
	$N = 512\text{ cpt}$		0.125	0.8	
	$N = 1024\text{ cpt}$		0.25	1.6	
	$N = 2048\text{ cpt}$		0.5	3.2	

Parameter	Conditions	Min.	Typ.	Max.	Unit
Differential Nonlinearity (DNL)	N=256 cpt		0.2	0.8	LSB
	N=512 cpt		0.3	0.9	
	N=1024 cpt		0.4	1.0	
	N=2048 cpt		0.5	1.1	
Angle hysteresis (Hyst)	All resolutions		1		LSB

\*2 Typical value for maximum state length

## 1.4 Hall Sensor

Parameter	Conditions	Min.	Typ.	Max.	Unit
Supply voltage ( $V_{CC}$ Hall)	With ESD protection diode	4.5	5.0	18	V
Supply current ( $I_{VCC}$ )	Output "High", i.e. minimum current into output Q	0.5	3	6	mA
Signal output current ( $I_{signal}$ )	Limits minimum external pull-up			12	mA
Signal output voltage ( $V_{signal}$ )	Output Q = "High"		$V_{CC}$	$V_{CC}+0.3$	V
	Output Q = "Low"	0	0.2	0.4	V
ESD voltage ( $V_{esd}$ ), all pins	EN 61000-4-2			>2	kV
Storage temperature ( $T_{store}$ )		-40		+125	°C
Operation temperature ( $T_{amb}$ )		-40		+115	°C

## 1.5 Mechanical Data

Parameter	Conditions		Value	Unit
Dimensions (→Figure 2)	30 W	D x L1	Ø43.5 x 18.6	mm
		Lateral projection PCB	V1: 35.3 x 43.4 V2: 28.3 x 35.0	
	50 W 60 W 90 W	D x L1	Ø43.5 x 22.8	
		Lateral projection PCB	V1: 35.3 x 43.4 V2: 28.3 x 35.0	
	70 W 80 W 120 W	D x L1	Ø43.5 x 27.8	
		Lateral projection PCB	V1: 35.3 x 43.4 V2: 28.3 x 35.0	
Moment of inertia of pole wheel			3.5	g cm <sup>2</sup>

### 1.6 Dimensional Drawing

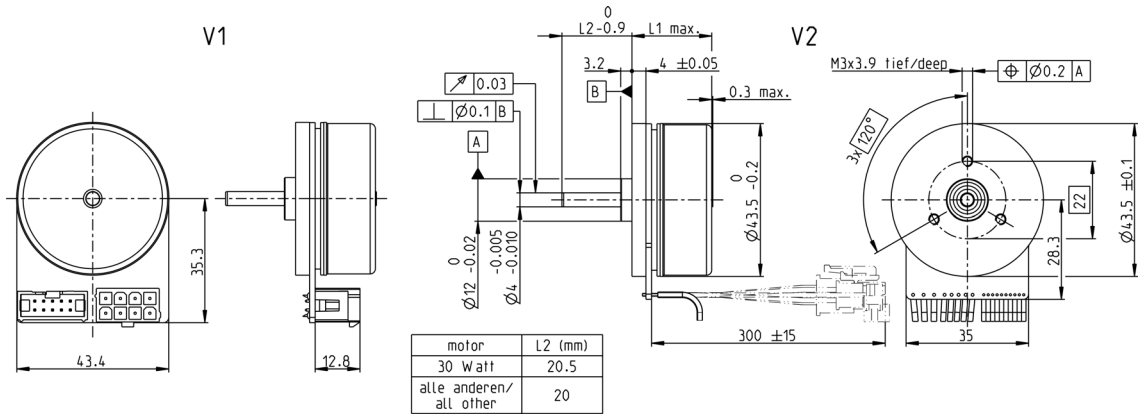


Figure 2 Dimensional Drawing [mm]

## 2 PROTECTION AND ROBUSTNESS

- Outputs for Hall sensor and encoder (line driver) are protected by ESD protection diodes designed for an ESD level of at least 2 kV according to EN 61000-4-2.
- In addition, outputs for Hall sensor and encoder (line driver) are protected by series resistances of 47 Ohm.
- The encoder by virtue of its inductive operating principle is immune to magnetic interference, dust, and dirt.

### 3 DEFINITIONS

Metric	Definition	Illustration
Angle Error [°m]	Difference of measured and true angular shaft position at each position.	
Average Angle Error [°m]	Average of Angle Error over a number of turns.	
Integral Nonlinearity (INL) [°m]	Peak-to-peak value of Average Angle Error.	
Jitter (Repeatability) [°m] or [LSB]	Six standard deviations of Angle Error per turn (over one turn, at a given number of turns). <b>Jitter [°m]</b> is typically independent of resolution and defines the maximum useful positioning repeatability. <b>Jitter [LSB]</b> is resolution-dependent. At given Jitter [°m], the value is roughly proportional to resolution.	
Least Significant Bit (LSB)	Minimum measurable difference between two angle values at given resolution (= quadcount, = State).	
State Error [LSB]	Difference between actual state length and average state length.	
Average State Error [LSB]	Average of State Error over a number of turns for each state of a turn.	
Differential Nonlinearity [DNL]	Maximum positive or negative Average State Error.	
Minimum State Length [°el]	Minimum measured state length within a number of turns relative to pulse length.	
Maximum State Length [°el]	Maximum measured state length within a number of turns relative to pulse length.	
Minimum State Duration [ns]	By chip limited minimum time separation between two A/B transitions.	

Table 1 Definitions

## 4 PIN ASSIGNMENT



### Maximum permitted Supply Voltage

- Make sure that supply power is within stated range.
- Supply voltages exceeding the stated range, or wrong polarity will destroy the unit.
- Connect the unit only when supply voltage is switched off ( $V_{cc}=0$ ).

### 4.1 Encoder



Figure 3 Encoder Connector

V1	V2	Signal	Description
A1	A1	–	not connected
A2	A2	$V_{cc}$	Power supply voltage
A3	A3	GND	Ground
A4	A4	–	not connected
A5	A5	ChA/	Channel A complement
A6	A6	ChA	Channel A
A7	A7	ChB/	Channel B complement
A8	A8	ChB	Channel B
A9	A9	internal signal	do not connect
A10	A10	internal signal	do not connect

Table 2 Encoder Connector – Pin Assignment

Specifications			
V1	A	Connector	Pin header, pitch 2.54 mm, 5 x 2 poles (3M N2510-6002-RB)
		Mating plug	Pin header, pitch 2.54 mm, 5 x 2 poles
V2	A	Connector	IDC socket, pitch 2.54 mm, 5 x 2 poles (Tyco 1-215915-0)
		Mating plug	Pin header, pitch 2.54 mm, 5 x 2 poles

Table 3 Encoder Connector – Specifications



## 4.2 Motor/Hall Sensor

The MILE on EC 45 flat PCB comprises three digital Hall sensors for commutation. For specifications → chapter “1.4 Hall Sensor” on page 5, for output interface → Figure 5.



Figure 4 Motor/Hall Sensor Connector

V1	V2	Signal	Description
B1	B1	Hall sensor 1	Hall sensor 1 output
B2	B2	Hall sensor 2	Hall sensor 2 output
B3	B5	V <sub>CC</sub> , Hall	Hall sensor supply voltage
B4	C3	Motor winding 3	Winding 3
B5	B3	Hall sensor 3	Hall sensor 3 output
B6	B4	GND	Hall Sensor ground
B7	C1	Motor winding 1	Winding 1
B8	C2	Motor winding 2	Winding 3
—	C4	—	not connected

Table 4 Motor/Hall Sensor Connector – Pin Assignment

Specifications			
V1	B	Connector	Molex Mini-Fit Jr., pitch 4.2 mm, 8 poles (39-28-1083)
		Mating plug	Pin socket, pitch 4.2 mm, 8 poles
V2	B	Connector	Molex Micro-Fit 3.0, pitch 3 mm, 6 poles (430-25-0600)
		Mating plug	Pin socket, pitch 3 mm, 6 poles
	C	Connector	Molex Micro-Fit Jr., pitch 4.2 mm, 4 poles (39-01-2040)
		Mating plug	Pin socket, pitch 4.2 mm, 4 poles

Table 5 Motor/Hall Sensor Connector – Specifications

## 5 OUTPUT CIRCUITRY

### 5.1 Hall Sensor

The Hall sensor output signals are equipped with ESD protection .

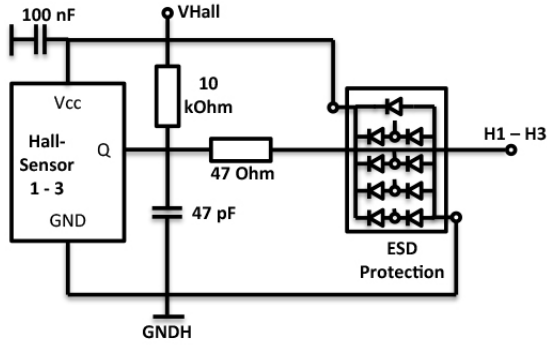


Figure 5 Hall Sensor – Output Circuitry

### 5.2 Encoder

The encoder output signals are equipped with ESD protection diodes.

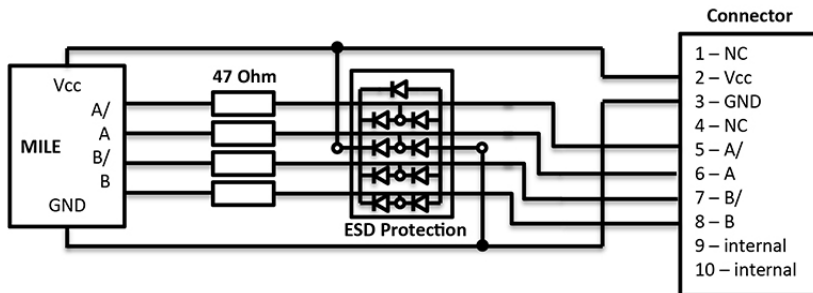


Figure 6 Encoder – Output Circuitry

**••page intentionally left blank••**

This document is protected by copyright. Any further use (including reproduction, translation, microfilming, and other means of electronic data processing) without prior written approval is not permitted. The mentioned trademarks belong to their respective owners and are protected under intellectual property rights.

© 2020 maxon. All rights reserved. Subject to change without prior notice.

mmag | MILE Encoder for EC 45 flat Product Information | Edition 2020-07 | DocID 1877473-07

maxon motor ag  
Brünigstrasse 220  
CH-6072 Sachseln

+41 41 666 15 00  
[www.maxongroup.com](http://www.maxongroup.com)