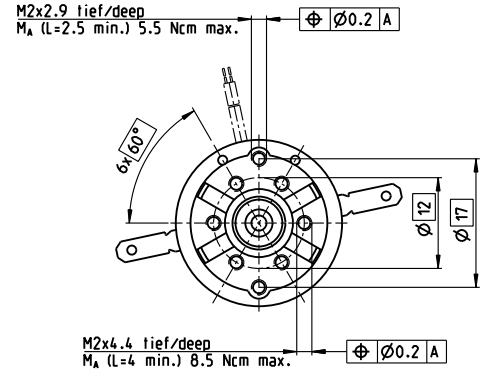
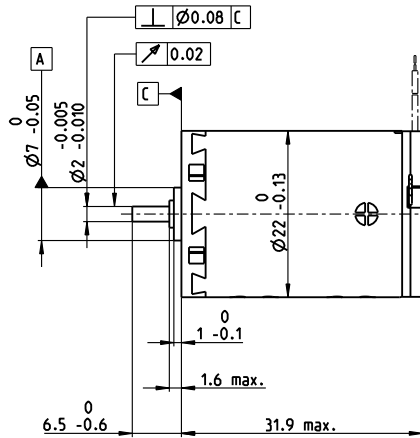
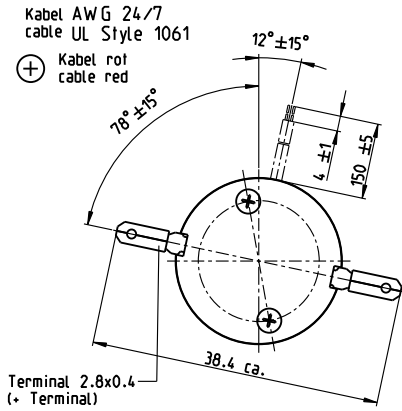


A-max 22 Ø22 mm, Graphite Brushes, 6 Watt



A-max

M 1:1

- Stock program
- Standard program
- Special program (on request)

Part Numbers

with terminals	110143	110145	110146	110147	110148	110149	110150	110151	110152	110153	110154	110155
with cables	139840	353017	199807	320206	323856	108828	199424	202921	267433	325492	313302	353019

Motor Data													
Values at nominal voltage													
1 Nominal voltage	V	6	9	9	12	12	15	18	24	24	36	48	48
2 No load speed	rpm	9240	9690	8500	10200	9170	10000	9770	10500	8480	9630	9110	8210
3 No load current	mA	83.1	57.9	49.6	45.8	40.5	36	29	23.7	18.4	14.2	9.99	8.84
4 Nominal speed	rpm	6240	6530	5350	7060	6000	6890	6600	7380	5270	6420	5840	4940
5 Nominal torque (max. continuous torque)	mNm	5.91	6.88	7.04	6.96	6.95	6.93	6.92	6.9	6.97	6.86	6.75	6.86
6 Nominal current (max. continuous current)	A	1.08	0.859	0.77	0.681	0.613	0.534	0.432	0.347	0.283	0.21	0.147	0.135
7 Stall torque	mNm	19.4	22.1	19.8	23.7	20.9	22.9	22	23.7	18.9	21.1	19.2	17.6
8 Stall current	A	3.29	2.59	2.04	2.17	1.72	1.65	1.29	1.12	0.721	0.606	0.393	0.325
9 Max. efficiency	%	67	70	69	72	70	72	72	73	70	72	71	70
Characteristics													
10 Terminal resistance	Ω	1.82	3.48	4.42	5.53	6.96	9.09	14	21.5	33.3	59.4	122	148
11 Terminal inductance	mH	0.106	0.223	0.288	0.363	0.445	0.585	0.891	1.37	2.1	3.69	7.3	8.97
12 Torque constant	mNm/A	5.9	8.55	9.73	10.9	12.1	13.9	17.1	21.2	26.2	34.8	48.9	54.3
13 Speed constant	rpm/V	1620	1120	981	875	790	689	558	450	364	274	195	176
14 Speed / torque gradient	rpm/mNm	500	454	446	444	455	452	457	456	461	468	487	479
15 Mechanical time constant	ms	20.9	20.2	20.1	19.9	19.9	19.9	19.7	19.7	19.8	19.7	19.9	19.8
16 Rotor inertia	gcm ²	4	4.25	4.3	4.29	4.19	4.2	4.13	4.13	4.09	4.02	3.9	3.94

Specifications

Thermal data	
17 Thermal resistance housing-ambient	20 K/W
18 Thermal resistance winding-housing	6.0 K/W
19 Thermal time constant winding	10.2 s
20 Thermal time constant motor	314 s
21 Ambient temperature	-30...+85°C
22 Max. winding temperature	+125°C

Mechanical data (sleeve bearings)	
23 Max. speed	9800 rpm
24 Axial play	0.05 - 0.15 mm
25 Radial play	0.012 mm
26 Max. axial load (dynamic)	1 N
27 Max. force for press fits (static)	80 N
28 Max. radial load, 5 mm from flange	2.8 N

Mechanical data (ball bearings)	
23 Max. speed	9800 rpm
24 Axial play	0.05 - 0.15 mm
25 Radial play	0.025 mm
26 Max. axial load (dynamic)	3.3 N
27 Max. force for press fits (static)	45 N
28 Max. radial load, 5 mm from flange	12.3 N

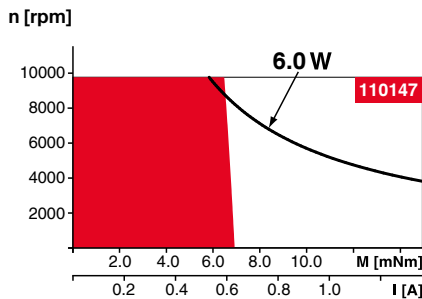
Other specifications	
29 Number of pole pairs	1
30 Number of commutator segments	9
31 Weight of motor	54 g

Values listed in the table are nominal.
Explanation of the figures on page 72.

Option

Ball bearings in place of sleeve bearings

Operating Range



Comments

- Continuous operation**
In observation of above listed thermal resistance (lines 17 and 18) the maximum permissible winding temperature will be reached during continuous operation at 25°C ambient.
= Thermal limit.
- Short term operation**
The motor may be briefly overloaded (recurring).
- Assigned power rating**

maxon Modular System

Details on catalog page 34

Planetary Gearhead

Ø22 mm
0.1 - 0.6 Nm
Page 372/373

Planetary Gearhead

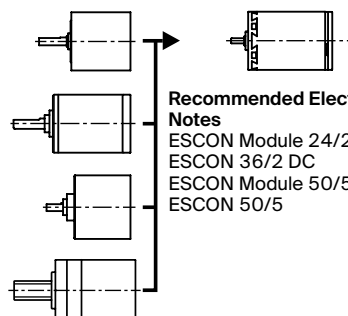
Ø22 mm
0.5 - 2.0 Nm
Page 374/376

Spur Gearhead

Ø24 mm
0.1 Nm
Page 380

Screw Drive

Ø22 mm
Page 414/415



Recommended Electronics:

Notes	Page 34
ESCON Module 24/2	486
ESCON 36/2 DC	486
ESCON Module 50/5	487
ESCON 50/5	489