

# HSF

**NOTES:**

Current Rating: 5.0AMP  
 Contact Resistance: 10mΩ Max  
 Withstand Voltage: 1500V AC/DC  
 Insulation Resistance: 1000MΩ Min  
 Operation Temperature: -40°C to +115°C

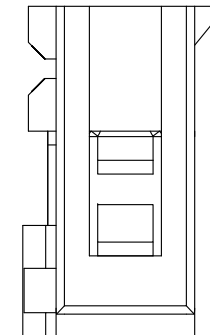
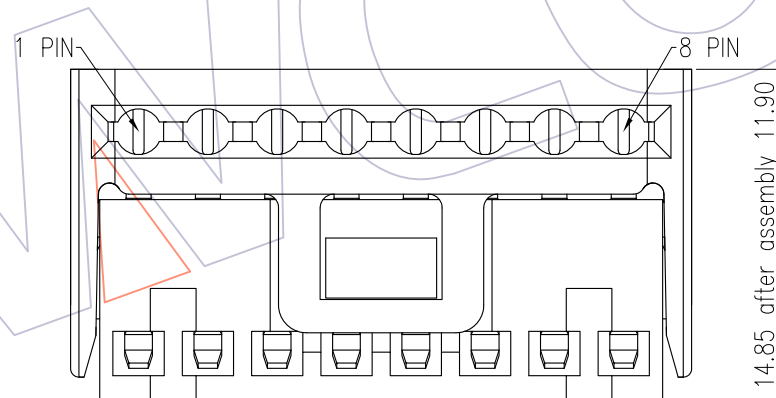
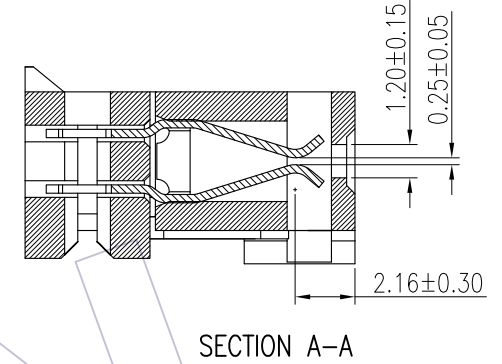
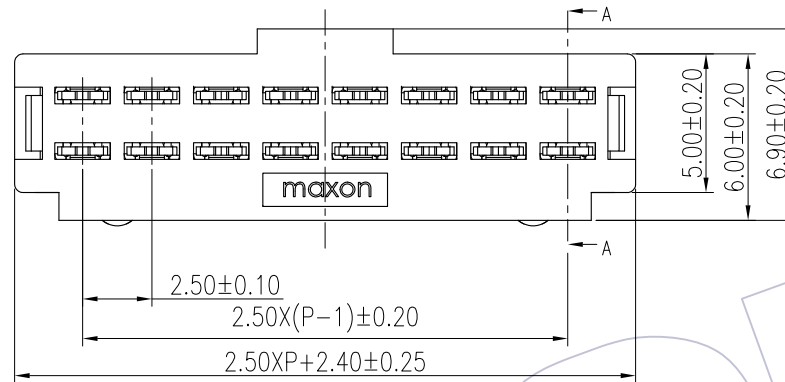
Contact Material: CuSn  
 Contact plating: Sn over Ni  
 Insulator Material: PBT UL94V-0


Compatible with counterpart stocko  
 MKS 1858-6-0-808

## Ordering Information

WF2512-H I **XX** **G** **0** **1**

No. of pins: 02-20P  
 Color: G-Grey  
 Packing: 0=PE Bag



				OPERATION		DRAW		DATE		SCALE		FIT		PART NO.		 Http: www.wcon.com	
				x.x ±0.40		Hui.Liu		2013/04/29		UNIT		mm		WF2512-HIXXG01			
				x.xx ±0.25		CHECK		DATE		SIZE		A4		TITLE:		WCON-Dongguan Tel: +86 769 85358920 Fax: +86 769 85358915 E-mail: sales@wcon.com	
				x.xxx ±0.15		APPROVE		DATE		SHEET		1/1		2.50 IDC SOCKET			
AO	2013/04/29	NEW		-----		Angle ± 3'				PROJ.		⌀		Customer NO.			
REV	DATE	MODIFICATION DESCRIPTION		CHANGE		DIM TOL											