

# High Efficiency Joint

**HEJ 70-48-50**

**30 V – 60 V | 50 Nm | 28 rad/s**

This is a highly compact, integrated and efficient robotic drive system that contains all subsystems to provide a full motion solution, such as electronics, motor, gearing and sensing. This drive is fully enclosed, ingress- and impact-rated, and designed for continuous operation and active thermal cooling if necessary. It offers high robustness and a long operating lifetime. Controlled via *EtherCAT*, it can implement various internal control and gain topologies, rendering it suitable for all robotics applications. Simulation models enable dependable robotic system designs.



EtherCAT<sup>®</sup>

All data are provided for  $U_{DC} = 48\text{ V}$  and  $T_{amb} = 25^\circ\text{C}$ , unless otherwise specified.

Specifications for different voltage levels or other operating limits, and corresponding simulation models, are available upon request.

## OUTPUT CHARACTERISTICS

Max. Joint velocity	$U_{DC} = 48\text{V}$	+/- 22 rad/s
	$U_{DC} = 60\text{V}$	+/- 28 rad/s
Max. Joint torque, actively controlled & repetitive		+/- 50 Nm

## POWER CONVERSION CHARACTERISTICS Motor Operating Quadrants

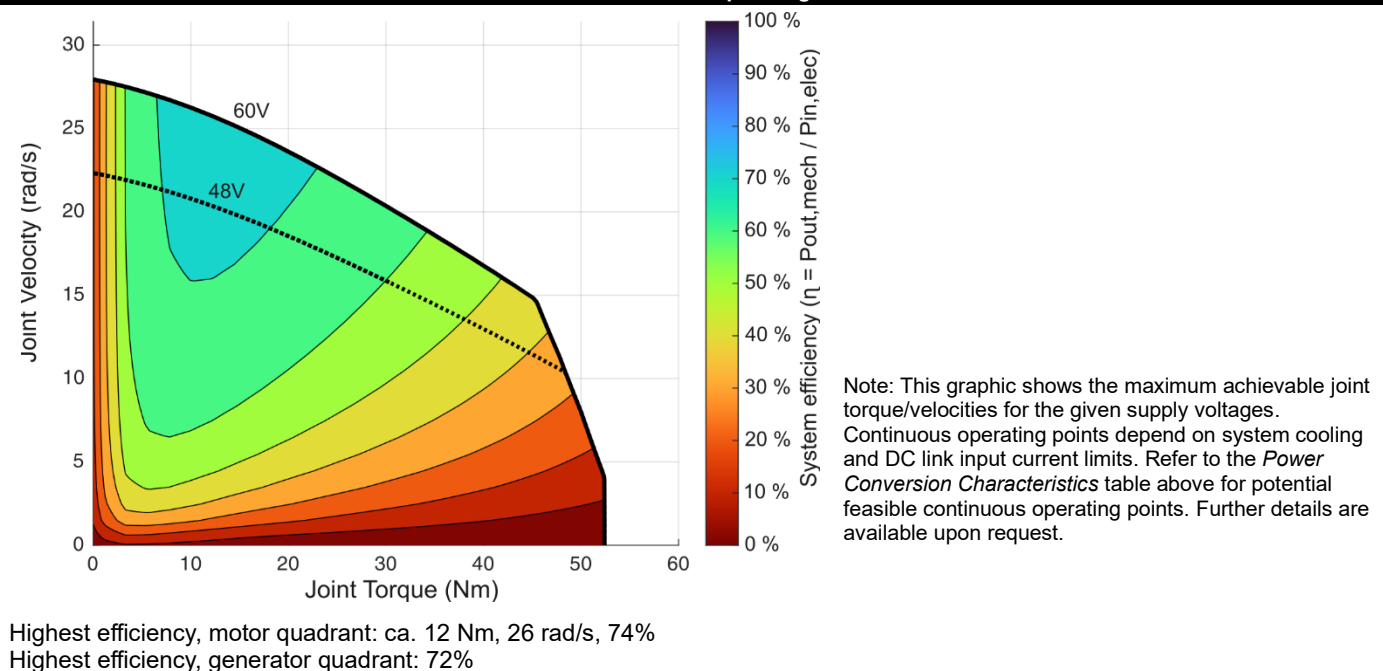
$U_{DC}$ (V) DC-Link Voltage	$V_{joint}$ (rad/s) Joint Velocity	$M_{joint}$ (Nm) Joint Torque	$I_{in}$ (A) DC-Link Input Curr.	$P_{loss}$ (W) Total System Loss	Efficiency (%) $P_{out,mech} / P_{in,elec}$	
48	0	0	0.04	2	0	●
48	0	50	21.7	1040	0	▲
48	0	40	10.6	509	0	▲
48	0	30	5.2	248	0	▲
48	0	20	2.2	52	0	●
48	0	10	0.6	15	0	●
48	10	0	0.4	17	0	●
48	10	45	25.8	787	36	▲
48	10	25	9.5	205	55	▲
48	15	0	0.5	25	0	●
48	15	30	15.9	314	59	▲
48	15	15	6.9	103	68	▲
48	20	0	0.7	34	0	●
48	20	10	5.8	79	72	●
60	25	0	0.7	42	0	●
60	25	15	8.5	134	74	▲

Operating points with a triangle (▲) can only be maintained for short times (some seconds, due to thermal limitations (mainly: continuous input current limited to 6 A<sub>RMS</sub>)).

Operating points marked with a circle (●) can be maintained continuously, but potentially require adequate external forced air cooling.

Simulation models are available upon request.

**POWER CONVERSION PERFORMANCE MAP Motor Operating Quadrants**



**ELECTRICAL CHARACTERISTICS**

Operating input voltage range	30 V – 60 V
Max. allowable transient input voltage (e.g., due to inductive spikes or noise on the supply bus)	67.0 V
DC link input capacitance	< 240 $\mu$ F
Max. power supply input current During transients or accelerations, the system can create high current peaks. Capacitive inrush current not considered. Unloaded joint.	< 40 A
Max. continuous power supply current (This is a conservative limit – please approach us if you plan on exceeding this limit)	6.0 A <sub>RMS</sub>

**CONTROL CHARACTERISTICS**

Control modes	Joint position, velocity, torque, motor current (FOC) Joint impedance controller (simultaneous control of position, velocity, torque) PDO-mappable control gains
Joint position sensor	Resolution: 14 bit Absolute angular error: < 0.01 rad (0.6°)
Joint torque measurement Via electric motor current, compensated	Absolute error, steady-state: < 2 Nm
Joint velocity filtering	Configurable lowpass
Controller execution rate	Current controller (FOC): 25 kHz All others: 2.5 kHz PWM frequency: 50 kHz
Max. <i>EtherCAT</i> communication rate	1 kHz
Internal temperature sensors Also used for internal protection like i2t	Motor winding and power electronics PDO-mappable
Motor temperature i2t protection	Configurable
Mechanical backlash Fixed motor position, movement of the joint	Avg: 0.49°. Min – Max: 0.37° – 0.60° Depending on the selected control topology, operating regime and gains, the inherent internal mechanical backlash can potentially affect the controller performance
Tot. mech. moment of inertia, at joint	55 kgcm <sup>2</sup>
Backdriving torque (system disabled, including joint seal friction)	< 1.2 Nm
Acceleration time	<> ms Time it takes to accelerate the joint from standstill to its maximum velocity.

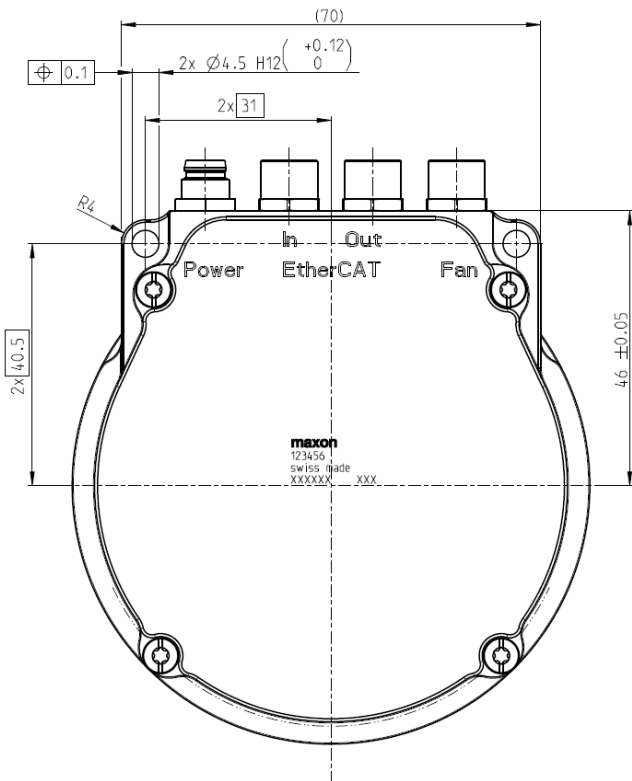
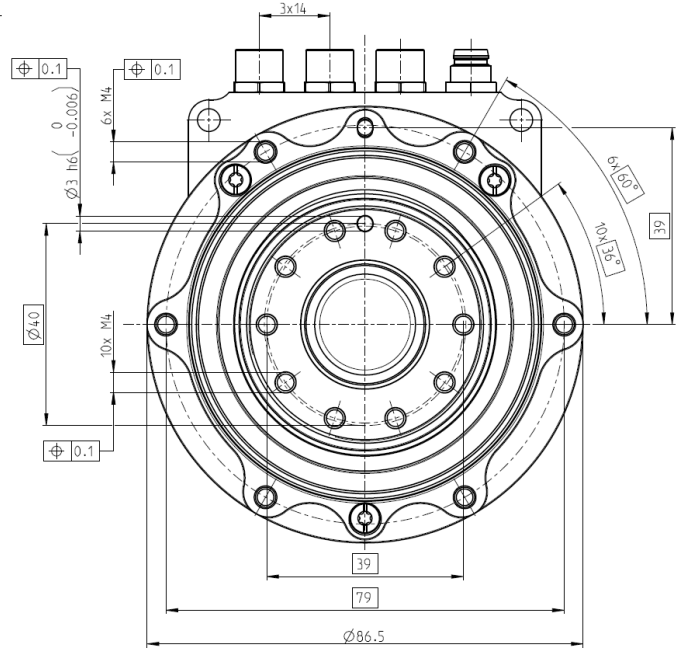
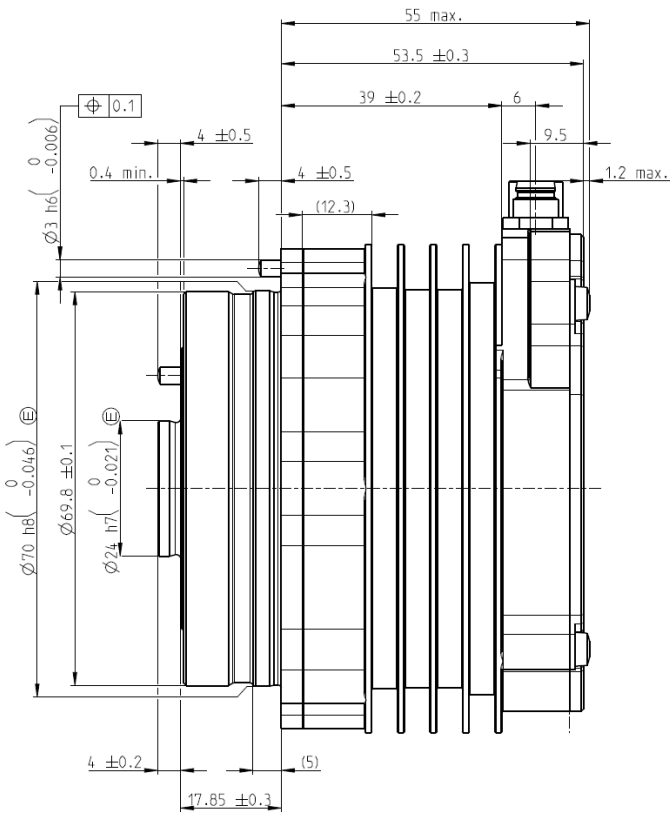
<b>ENVIRONMENTAL CHARACTERISTICS</b>	
Ingress protection	IP67, also with rotating joint and applied bending moments
Ambient operating temperature	-20°C to +60°C (might require adequate cooling if the system exhibits losses)
Thermal interface Note: The thermal dissipation capability serves only as an indication. Actual performance depends on external heat transfer system and environment. Details are available upon request.	Integrated heat sinks for forced air cooling. Continuous thermal dissipation (active cooling) up to ca. 140 W. Integrated and user-controllable fan power supply.

<b>LIFETIME CHARACTERISTICS</b>	
Note: A high emphasis was put on creating a highly reliable and robust product. Nonetheless, the operating lifetime of this drive strongly depends on its load cases and environmental aspects. The indicated values are only a (simplified) guideline. Further details are available upon request.	
High-cycle fatigue: Joint impact/collision events	12e6 impacts at 38 Nm 100e3 impacts at 50 Nm 1e3 impacts at 67 Nm
Lifetime at constant operation Note 1: Depending on environmental factors (e.g., temperature, dust or chemicals exposure), the joint output seal may potentially degrade earlier. Note 2: These operating points are naturally dependent on temperature and specific aspects of the load cycle and gear lubrication life. Details can be provided upon request.	10 Nm, 22 rad/s: >56'000 h 30 Nm, 5 rad/s: >56'000 h

<b>MECHANICAL CHARACTERISTICS</b>	
Axial length, overall	ca. 73 mm
Diameter, excluding connectors	86.5 mm
Mass	ca. 1.1 kg
Max. joint axial, radial and bending loads, dynamic Note 1: The system provides an integrated cross-roller bearing. Note 2: Higher loads are possible, but might reduce structural lifetime (high-cycle fatigue). Details are available upon request.	900 N 90 Nm

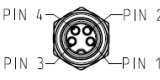
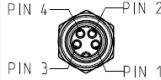


<b>ELECTRICAL INTERFACES</b>	
Connectors	4x M8: 1x Power supply, 2x <i>EtherCAT</i> (allows daisy-chaining of several systems), 1x fan power and control
<i>EtherCAT</i>	Full Duplex, 100 Mbit/s
Grounding concept	All housing parts connected to DC link GND. <i>EtherCAT</i> shield connected to housing/GND.
Fan power and control	Power: 12 V, max. 700 mA. Control: PWM (Open Drain, 25 kHz). Tacho input: Pull-up, 10 kΩ.

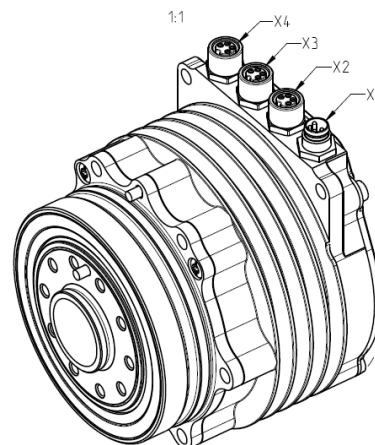
**MECHANICAL DRAWINGS**



Please note: maxon can offer customized housing geometries, e.g., different thread sizes, hole patterns, attachment points, or heat sinking geometries. Please contact [robotics@maxongroup.com](mailto:robotics@maxongroup.com)

**ELECTRICAL PINOUTS**

Steckerbelegung / PIN allocation			Steckerbelegung / PIN allocation		
Stecker/connector	PIN	Signal	Stecker/connector	PIN	Signal
X4 Fan TE T4033014041-000 	1	Vcc 12V	X2 EtherCAT In TE T4033014041-000 	1	TX+
	2	GND		2	RX+
	3	PWM-Fan		3	RX-
	4	Tacho-Fan		4	TX-
X3 EtherCAT Out TE T4033014041-000 	1	TX+	X1 Power Binder 76 6019 0111 00004 	1	VBUS
	2	RX+		2	VBUS
	3	RX-		3	GND
	4	TX-		4	GND



Please note: maxon can offer customized connectors or cabling solutions. Please contact [robotics@maxongroup.com](mailto:robotics@maxongroup.com)