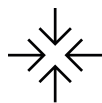


Compact and highly efficient. The maxon wheel drive for AGV and AMR.



Highly efficient



Compact



Modular



Easy to use

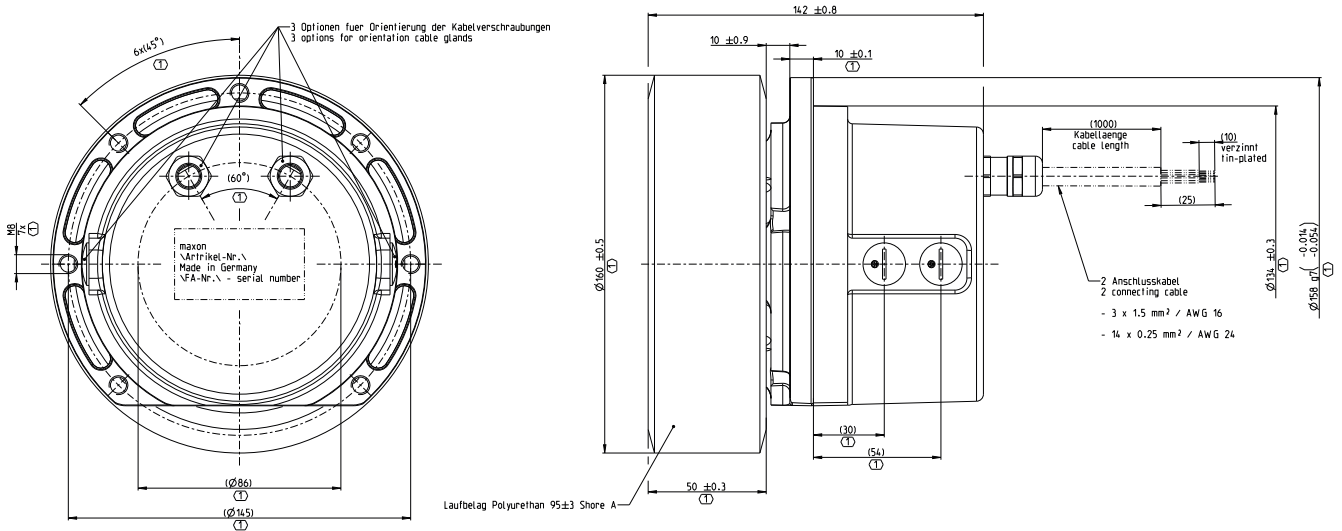
Learn more:



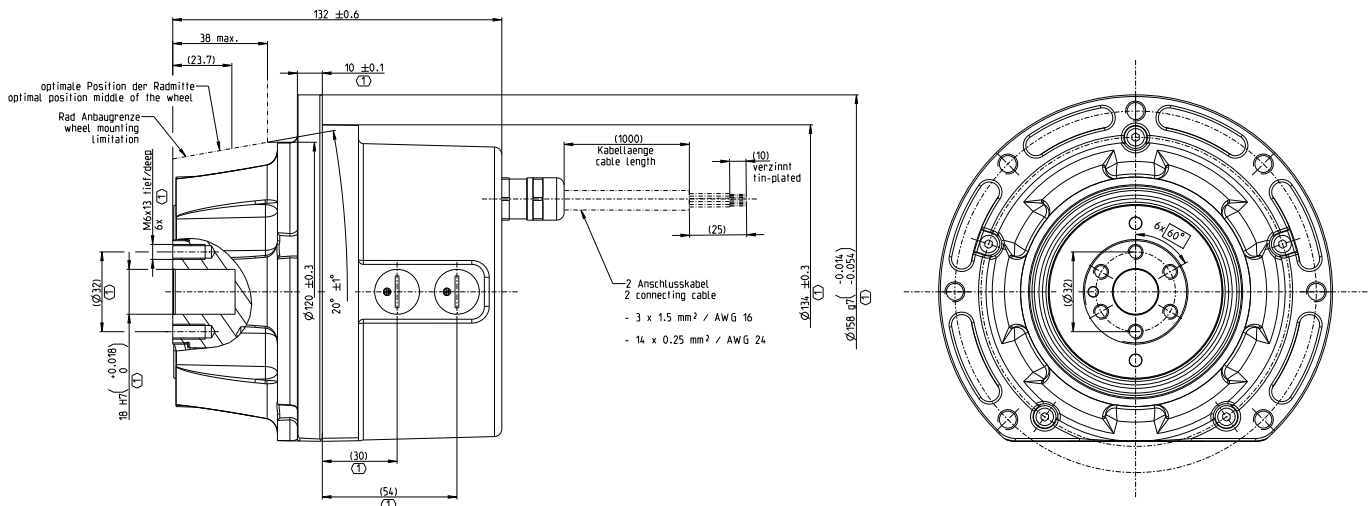
MW 500

maxon wheel drive

Payload per drive ≤ 500 kg



View without wheel:



M 1:3

		Part Numbers					
		690662	680368	755530	777918		
Specifications	Gear ratio	X:1	16	32	16	32	
	Nominal voltage	VDC	30	30	48	48	
	Nominal wheel speed @ nominal voltage	rpm	110	55	104	52	
	Nominal current (max. rms current)	A	7.06	7.06	4.06	4.06	
	Nominal wheel torque (max. continuous torque)	Nm	11.7	23.7	11.4	23.1	
	Peak wheel torque < 5 sec (I2T shall be respected)	Nm	35	70	34	68	
	Type of protection	IP	54 (optional 65)				
	Operating temperature	°C	0...+50				
	Basic weight incl. wheel 160	kg	6.5				
	Max. radial load	kg	500				
	Wheel	Wheel diameter (and customized)	mm	160			
	Holding Brake (integrated)	Braking torque 24 VDC (reduced losses at 12 V)	Nm	min. 32	min. 64	min. 32	min. 64
			W	(<< 3)	(<< 3)	(<< 3)	(<< 3)
	Encoder (integrated Hall Sensors)	Signal line (single ended)	signal	H1, H2, H3			
Encoder (integrated)	Counts per turn	cpt	1024				
BLDC Controller (integrated)	Interface (under development)	bus	CANopen				
BLDC Controller (extern, e.g. EPOS4/MiniMACS)	Interface	bus	CANopen and EtherCAT				

Preliminary data. All data depending on winding configuration and voltage level. Data under the condition of unit mounted on sufficient heat sink. Nominal values valid for 25°C ambient temperature. If the unit is run above 25°C ambient temperature, nominal values are reduced.