

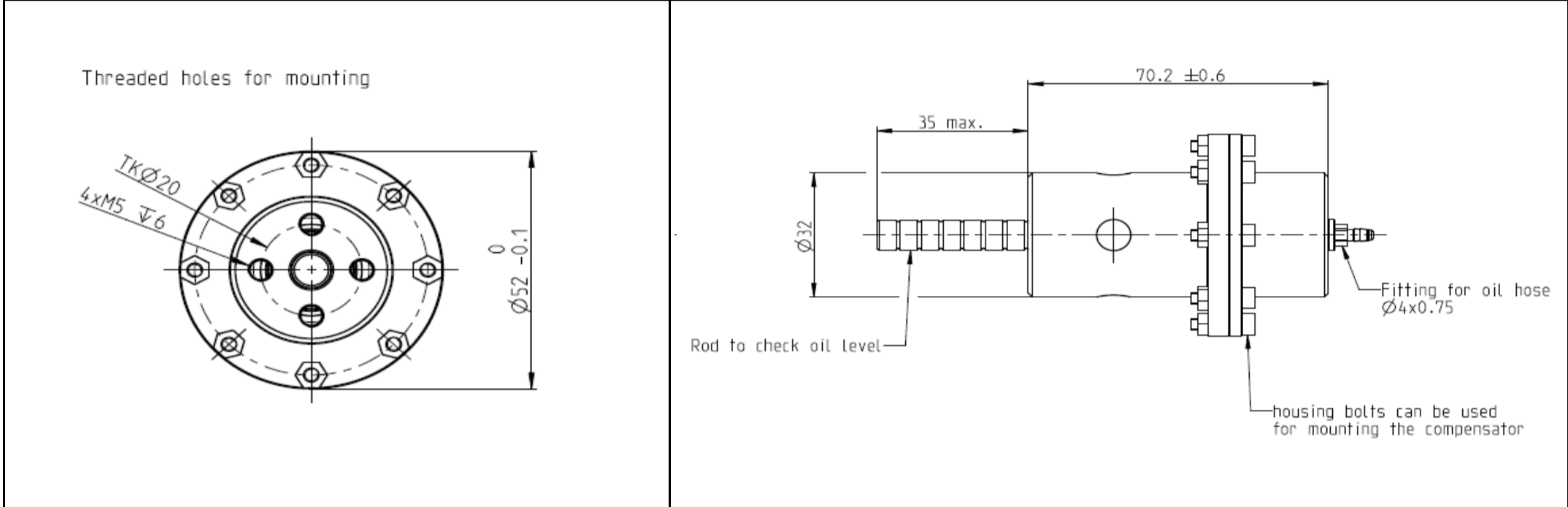
maxon compensators

Preliminary Data Sheet

MC30 Article number: 527833

Compensator specification			
Weight in air	gr		100
Weight in water (salt water)	gr		30
Diameter	mm		52
Depth rating	m		6000
Materials			POM, Titan, Hastelloy
Oil volume	ml		10
Oil preload - overpressure	bar		0.5 - 0.9
Oil filling			Panolin HLP Synth 15

MC30

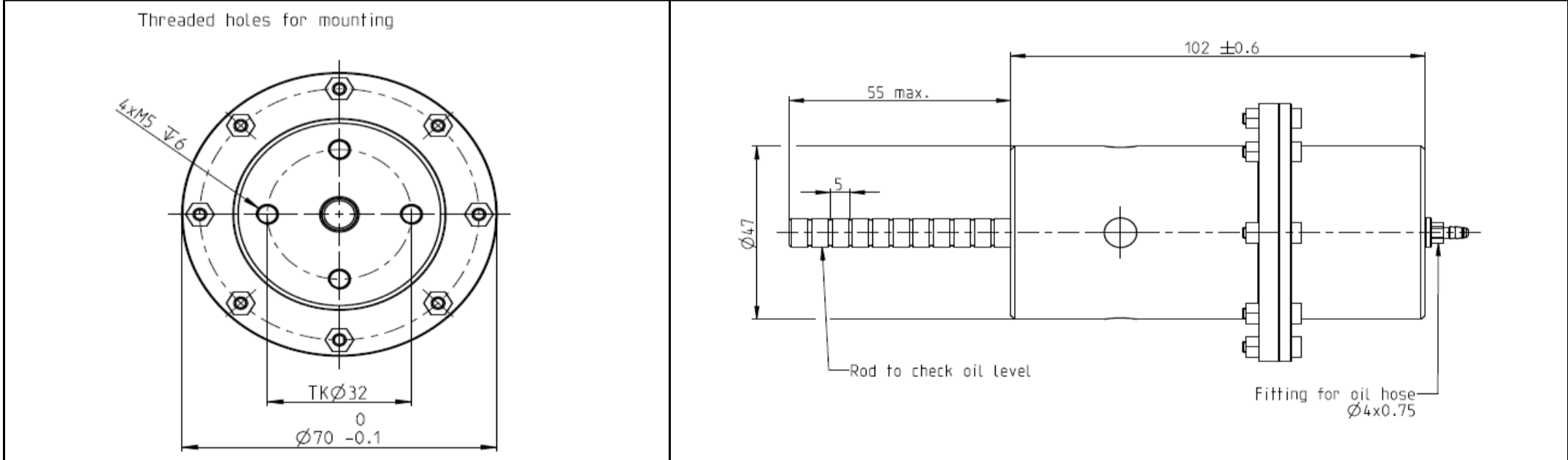


Suitable Thruster:	Article number
MT30	523642-F02

MC70 Article number: 538605

Compensator specification			
Weight in air	gr		ca. 237
Weight in water (salt water)	gr		ca. 71
Diameter	mm		70
Depth rating	m		6000
Materials			POM, Titan, Hastelloy
Oil volume	ml		50
Oil preload - overpressure	bar		0.15 - 0.8
Oil filling			Panolin HLP Synth 15

MC70



Suitable Thruster:	Article number
MT70	534851-F01
MT40	522619-F01